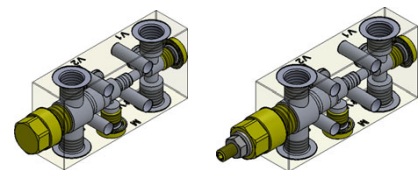
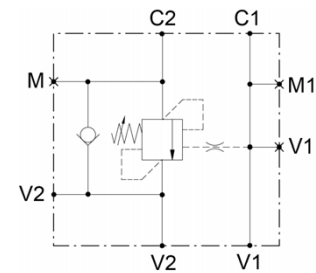


Technical description

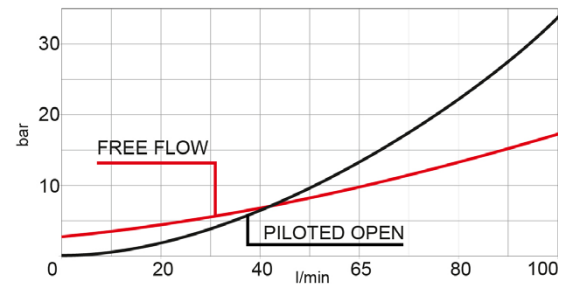
body material	zinc plated steel
capacity	90 lpm (24 gpm)
ports size	V1,V2: G1/2 - M,M1:G1/4 - C1,C2:Ø9 or V1,V2: G3/8 - M,M1:G1/4 - C1,C2:Ø9
max operating pressure	350 bar (5000 psi)
pilot ratio	2:1 - 4:1 - 7:1 - 11:1
maximum setting	420 bar (6100 psi)
minimum setting	60 bar (870 psi) : 2:1 - 4:1 100 bar (1450 psi): 7:1 - 11:1
Pressure setting established @	cracking pressure (1in3/min)
maximum valve leakage at reseal	5 drops /minute
operating characteristic reseal	standard >80%
maximum recommended load pressure at maximum setting	330 bar (4800 psi)
valve weight	1,77 kg (G1/2), 1,32 kg (G3/8)
external component surface treatment	zinc plating + sealing
temperature range	-30 to 100°C (-22 to 212°F) with BunaN seals
fluids	Mineral-based or synthetics with lubricating properties at viscosities of 10 to 500 mm/s (cSt)
filtration	Nominal value max. 10µm (NAS 8) / ISO 4406 19/17/14



Properties

- fixed or Adjustable
- G1/2 or G3/8 ports
- different ratios
- Low losses
- leakage free

- Backpressure at port 2 adds to the effective relief setting at a ratio of 1 plus the pilot ratio times the backpressure
- Set your counterbalance valve at least 1.3 times the maximum load induced pressure
- Indicated Reseat value is obtained with valve set @ maximum setting
- For customized settings and for settings from 360 bar to 420 bar please consult factory
- For special ports please consult factory



Type Code

V | A | L | - | S | N | S | 3 | 1 | 2 | - | G | - | 0 | 0 | 0

Pilot ratio
02 = 2:1
04 = 4:1
07 = 7:1
11 = 11:1

Port size
G12 = G1/2
G38 = G3/8

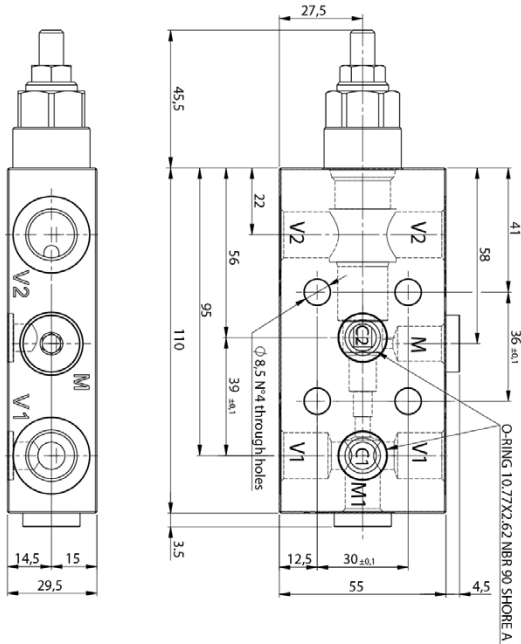
Fixed Setting
Spring I = 60 -210bar
Standard Setting 200 bar
Spring H = 210 - 360bar
Standard Setting 350bar

Adjustable Setting
Spring M = 60 -210bar
Standard Setting 200 bar
Spring D = 210 - 360bar
Standard Setting 350bar

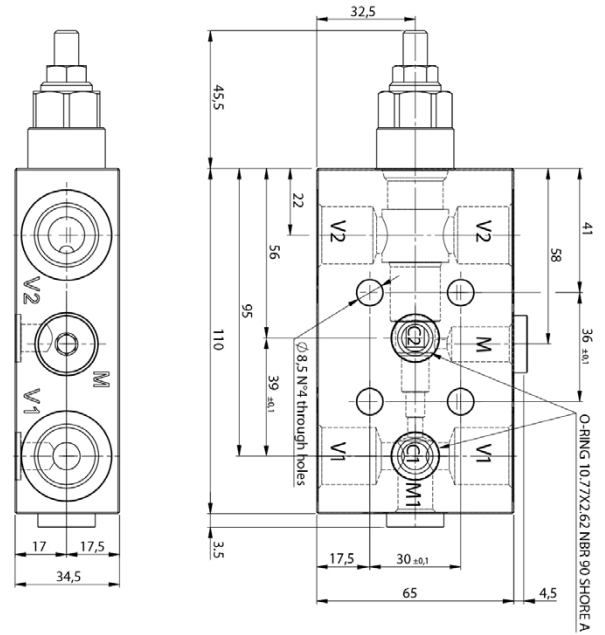
Dimensions

pressure increase per turn	2:1 - 4:1	7:1	11:1
	Spring M: 61,5 bar/turn	Spring M: 105 bar/turn	Spring M: 159 bar/turn
	Spring D: 137 bar/turn	Spring D: 234 bar/turn	Spring D: 355 bar/turn
adjustment screw internal hex size	4		
seal-lock hex size	13		
seal-lock torque	12-15 Nm (9-11 lbf ft)		

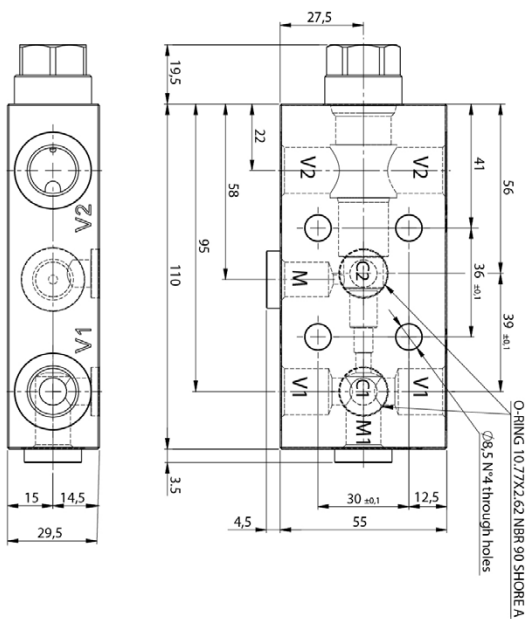
G3/8: Adjustable Setting



G1/2: Adjustable Setting



G3/8: Fixed Setting



G1/2: Fixed Setting

