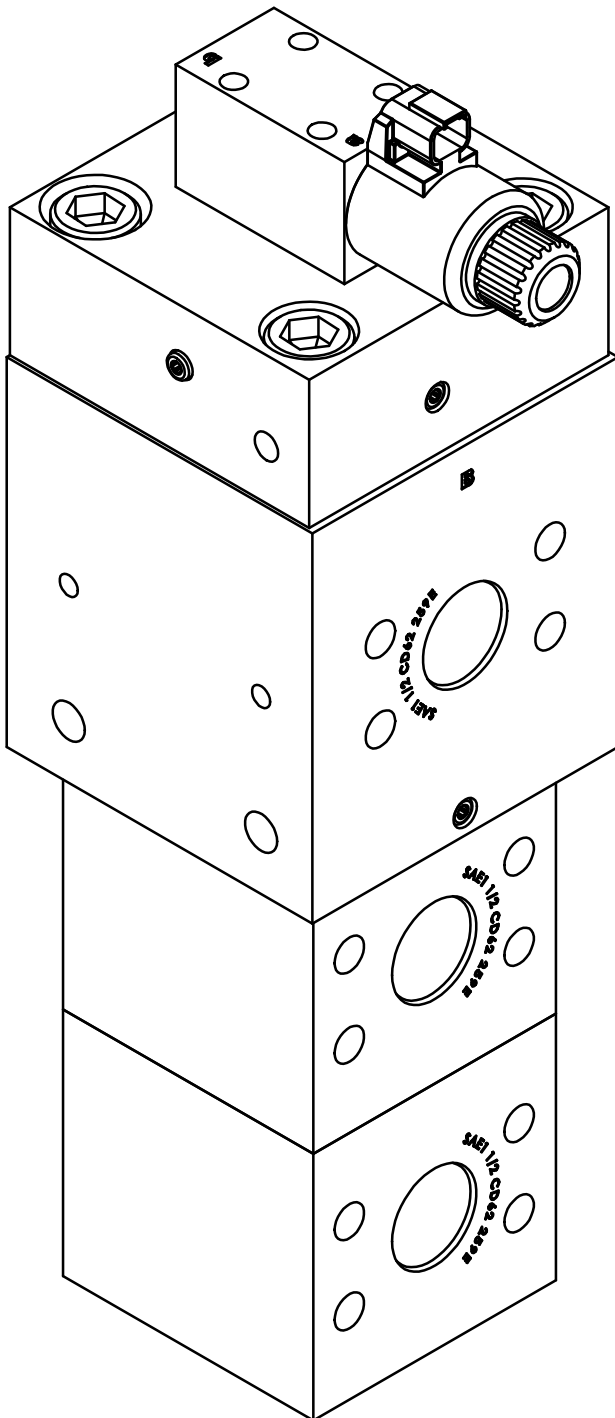


Part no.	description	attended screws	weight
229.314.101.9	control valve 2/2 - SAE 1 1/2" CD62		33 kg
229.314.102.9	control valve 2/2 with one flange SAE 1 1/2" CD62	M16x110 - 10.9 (DIN 912)	42 kg
229.314.103.9	control valve 2/2 with two flanges SAE 1 1/2" CD62	M16x220 - 10.9 (DIN 912)	50 kg
000.125.076.2	separately flange SAE 1 1/2" CD62		9 kg



we engineer your progress

229.314.101.9

229.314.102.9

229.314.103.9

General Information:

Einbaulage/ Installation position	Beliebig/ Any
max.Betriebsdruck/ maximum operating pressure A	420 bar
max.Betriebsdruck/ maximum operating pressure B	30 bar
Öffnungszeit/ opening time	300-400 ms
max. Volumenstrom/ max. recommended flow	1800 l/min

Oberfläche / surface:

lackiert / painted
RAL 7043

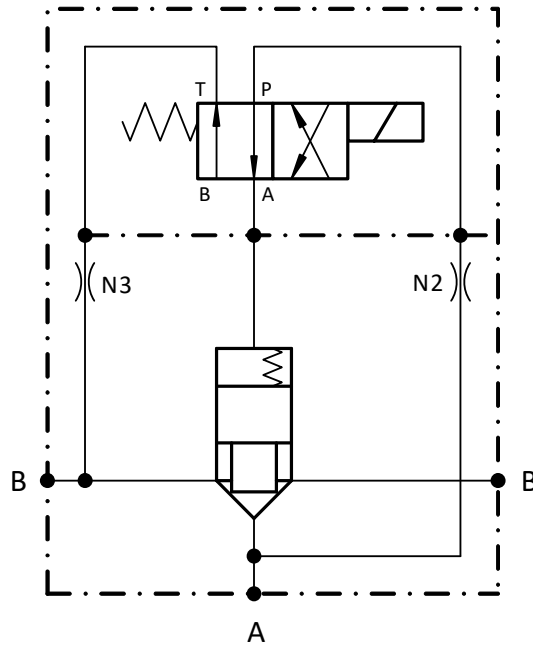
Hydraulic data:

Druckflüssigkeit/ Hydraulic medium	(HL, HLP) per DIN 51524
Temperatur/ temperature range	-25 to +80 °C
Umgebungstemperatur/ environmental temperature	< +60 °C
Viskositätsbereich/ Viscosity range	2.8 - 500 mm ² /s
Verschmutzungsgrad/ degree of contamination	filtering conforming with NAS 1638, class 9, with minimum retention rate β ₁₀ ≥75

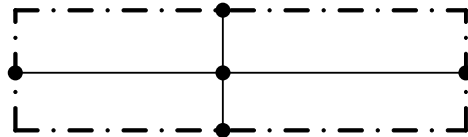
Electronical data:

Versorgungsspannung/ Supply voltage	24 ±10% VDC
Anschlusstecker/ connector	Deutsch DT04-2P
Schutzart/ Protection class according to DIN 40050	IP 67

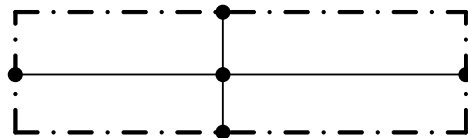
Anschluss/ port	Anschlussgröße/ size	Norm	Anzugsmoment /torque	Erläuterung/ annotation
A	SAE 1 1/2" (M16)	ISO 6162-2 -P38M / SAEJ 518-1 CD62	see specification	Versorgungsleitung/ supply port
B	SAE 1 1/2" (M16)	ISO 6162-2 -P38M / SAEJ 518-1 CD62	see specification	Verbraucheranschluss/actuator port



229.314.101.9

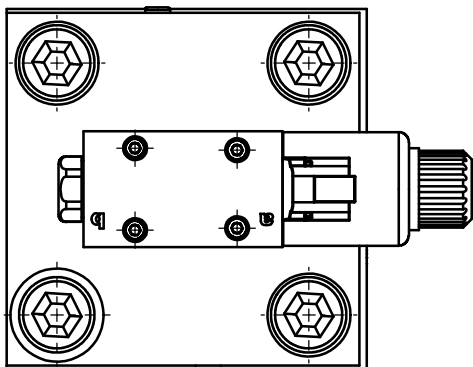
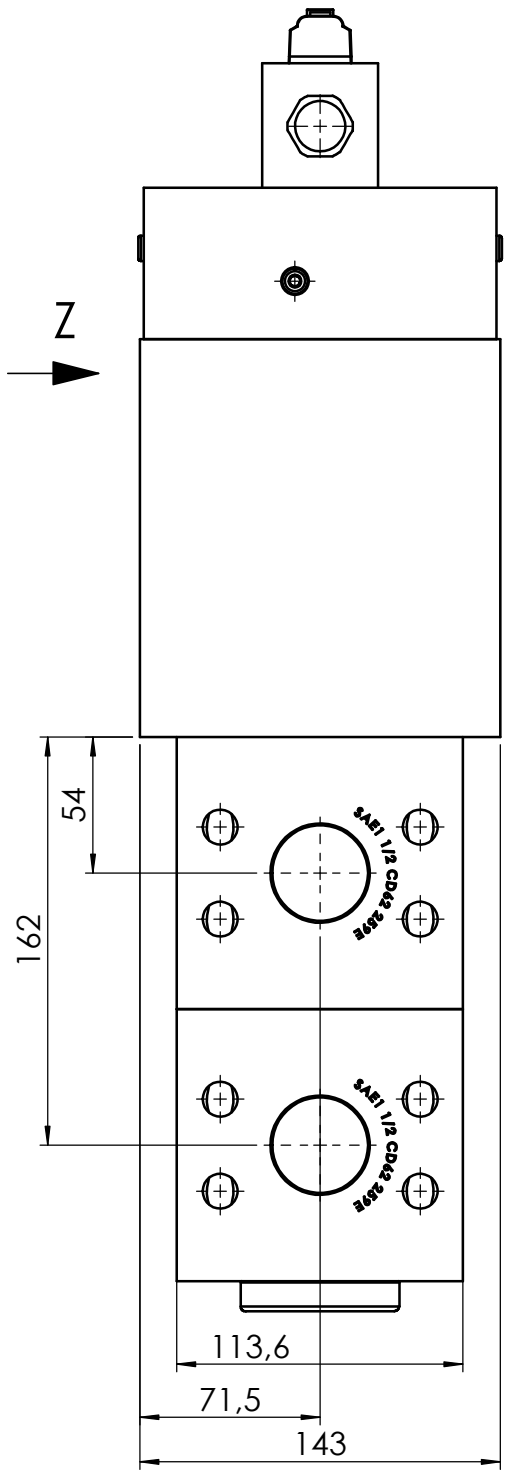
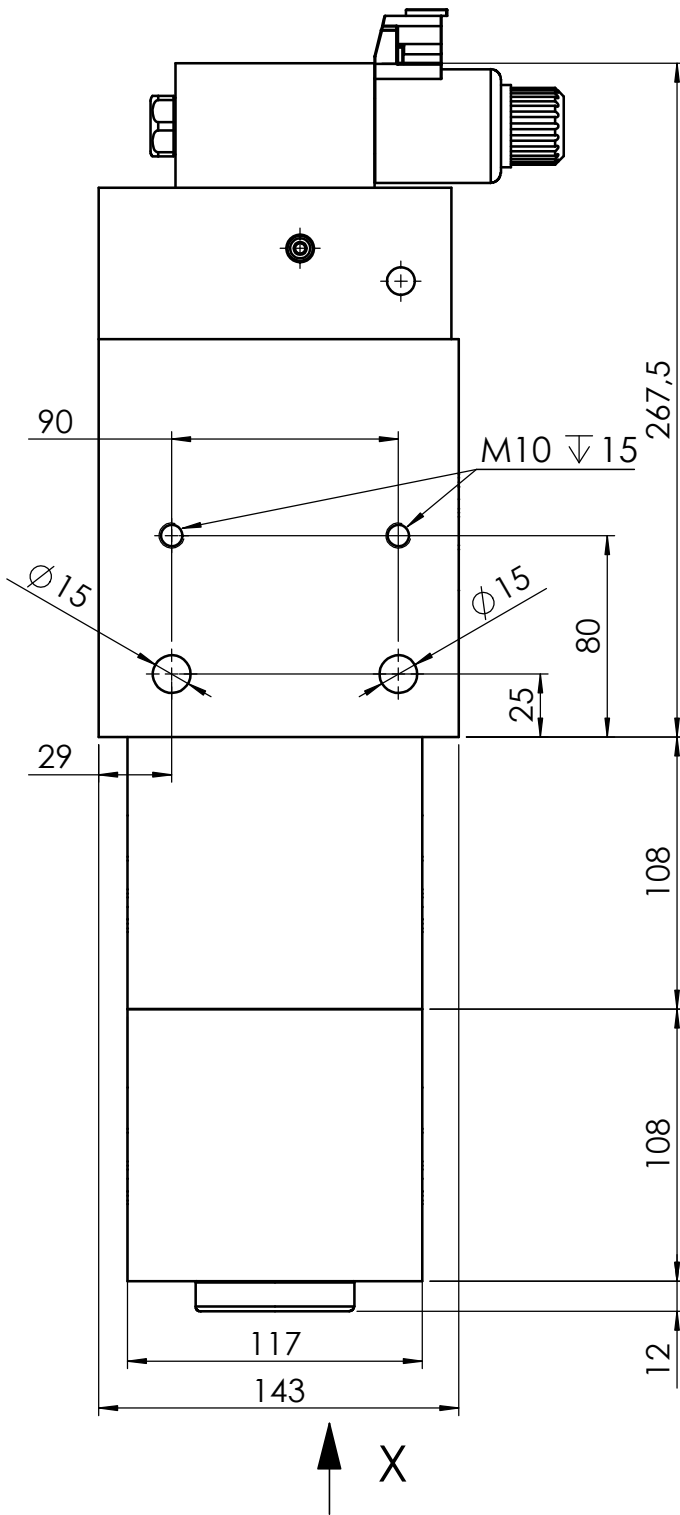


229.314.102.9

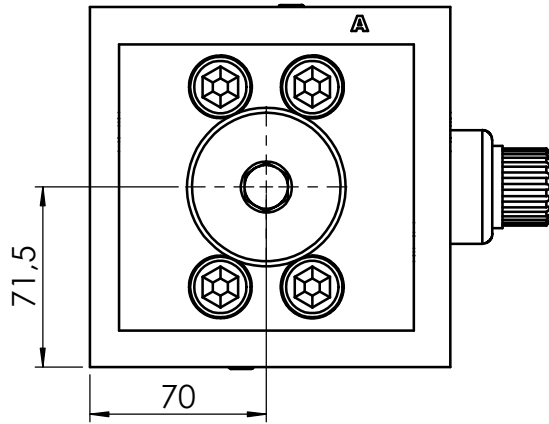


229.314.103.9

we engineer your progress



X (1 : 3)



Y (1 : 3)

Z (1 : 3)

we engineer your progress

