

General Information:

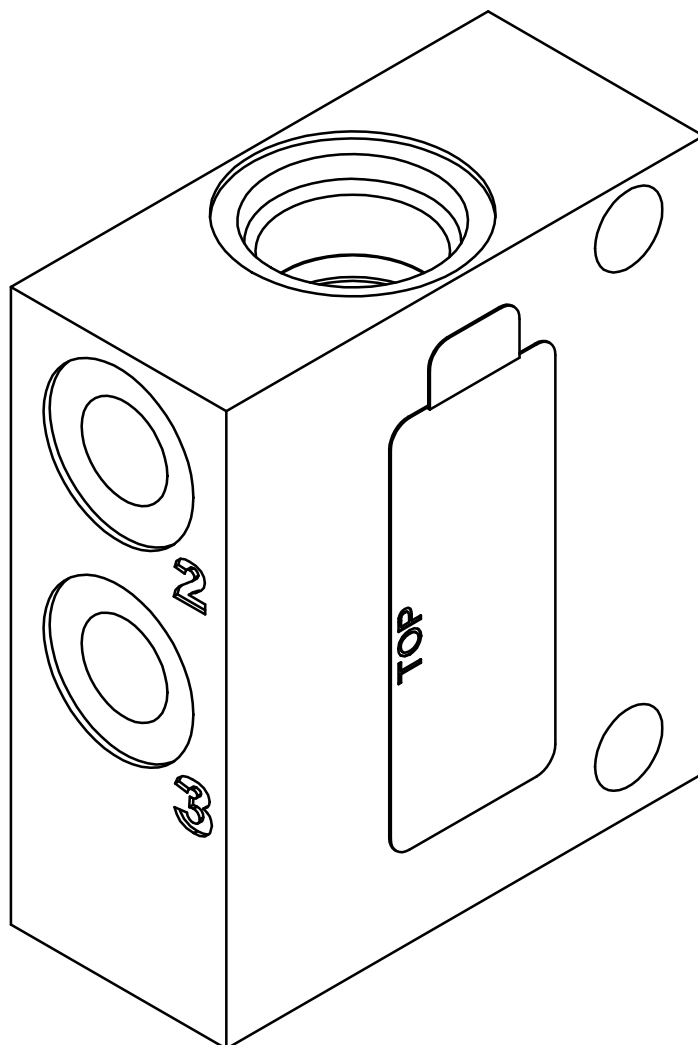
Gewicht/weight	ca. 1 kg
Einbaulage/ Installation position	Beliebig/ various
max. Betriebsdruck/ maximum operating pressure (1,2,3,4)	420 bar

Oberfläche / surface:

gal. beschichtet / electroplating coated

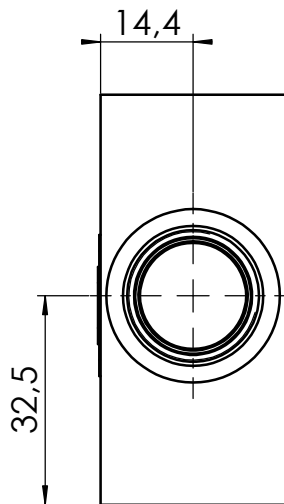
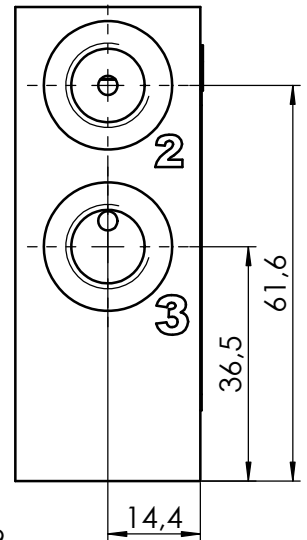
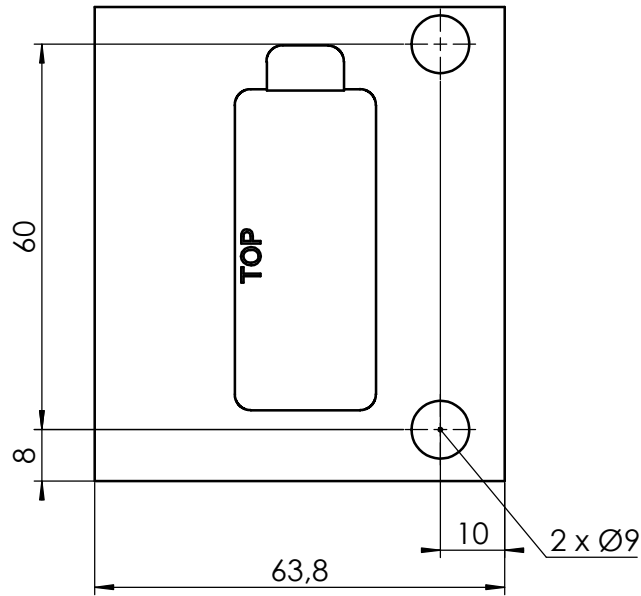
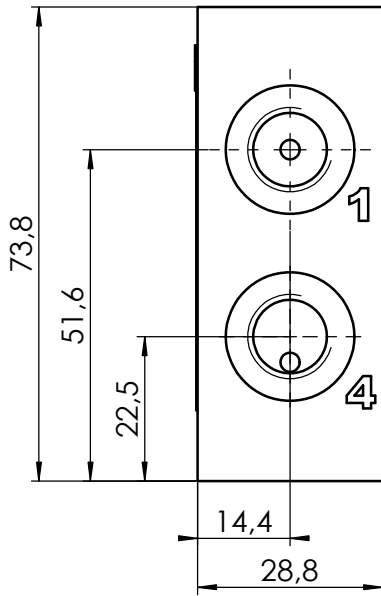
Hydraulic data:

Druckflüssigkeit/ Hydraulic medium	(HL, HLP) per DIN 51524
Temperatur/ temperature range	-20 to +80 °C
Umgebungstemperatur/ environmental temperature	< +50 °C
Viskositätsbereich/ Viscosity range	2.8 - 500 mm ² /s
Verschmutzungsgrad/ degree of contamination	filtering conforming with NAS 1638, class 9, with minimum retention rate $\beta_{10} \geq 75$



we engineer your progress

Anschluss/ port	Anschlussgröße/ size	Norm	Anzugsmoment /torque	Erläuterung/ annotation						
1	G1/4	ISO 1179-1	see specification	Versorgungsleitung/ supply port						
2	G1/4	ISO 1179-1	see specification	Signal vom Zusatzverbraucher/signal from additional actuator						
3	G1/4	ISO 1179-1	see specification	Leckölanschluss/ leakage port						
4	G1/4	ISO 1179-1	see specification	LS-Signal zur Pumpe/ LS-signal for pump						
heyen	prepared on	07.08.17	changed on	17.11.2023	ID-Nr.978.004.005.9	index: 00	page	1	of	2



we engineer your progress