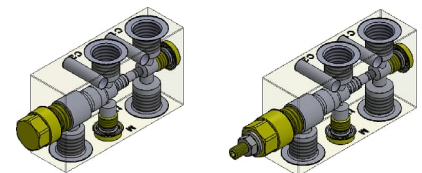
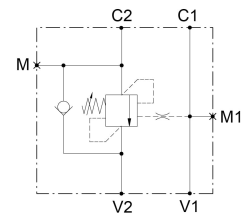




## 1 Technical Description

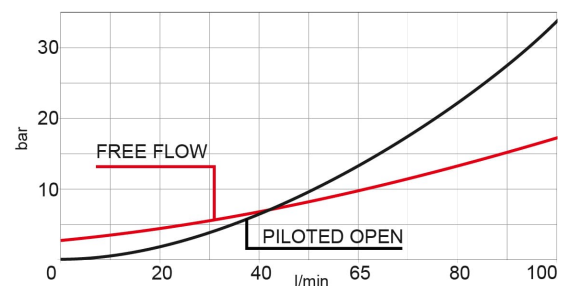
body material	zinc plated steel
capacity	90 lpm (24 gpm)
ports size	V1, V2, C1, C2: G1/2 - M, M1: G1/4 or V1, V2, C1, C2: G3/8 - M, M1: G1/4
max operating pressure	350 bar (5000 psi)
pilot ratio	2:1 - 4:1 - 7:1 - 11:1
maximum setting	420 bar (6100 psi)
minimum setting	60 bar (870 psi) : 2:1 - 4:1 100 bar (1450 psi): 7:1 - 11:1
Pressure setting established @	cracking pressure (1in3/min)
maximum valve leakage at reseal	5 drops /minute
operating characteristic	standard
reseal	>80%
maximum recommended load pressure at maximum setting	330 bar (4800 psi)
valve weight	1,85 kg (G1/2), 1,37 kg (G3/8)
external component surface treatment	zinc plating + sealing
temperature range	-30 to 100°C (-22 to 212°F) with BunaN seals
fluids	Mineral-based or synthetics with lubricating properties at viscosities of 10 to 500 mm/s (cSt)
filtration	Nominal value max. 10µm (NAS 8) / ISO 4406 19/17/14



### Characteristics

- fixed or Adjustable
- G1/2 or G3/8 ports
- different ratios
- Low losses
- leakage free

- Backpressure at port 2 adds to the effective relief setting at a ratio of 1 plus the pilot ratio times the backpressure
- Set your counterbalance valve at least 1.3 times the maximum load induced pressure
- Indicated Reseat value is obtained with valve set @ maximum setting
- For customized settings and for settings from 360 bar to 420 bar please consult factory
- For special ports please consult factory



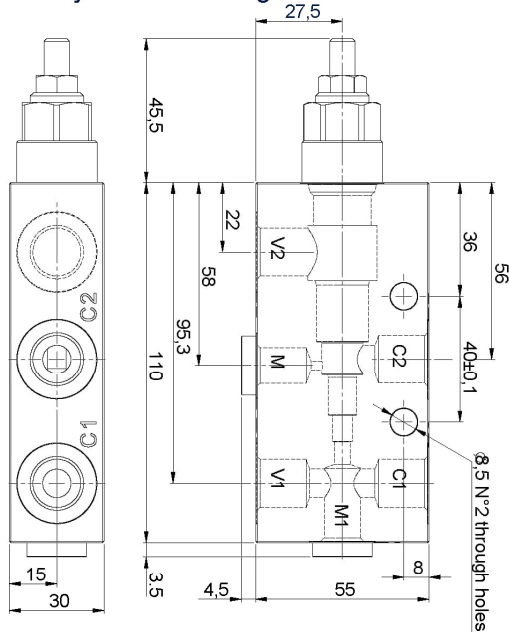
## 2 Type Code

V	A	L	-	S	N	S	3	1	L	-			-	G			-		-	0	0	0
											<b>Pilot ratio</b> 02 = 2:1 04 = 4:1 07 = 7:1 11 = 11:1		<b>Port size</b> G12 = G1/2 G38 = G3/8		<b>Fixed Setting</b> Spring I = 60 - 210bar Standard Setting 200 bar Spring H = 210 - 360bar Standard Setting 350bar  <b>Adjustable Setting</b> Spring M = 60 - 210bar Standard Setting 200 bar Spring D = 210 - 360bar Standard Setting 350bar							

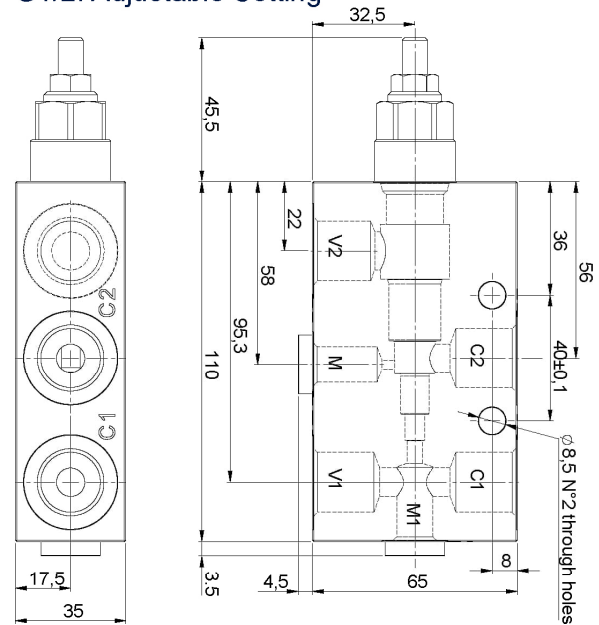
### 3 Dimensions

pressure increase per turn	2:1 - 4:1	7:1	11:1
	Spring M: 61,5 bar/turn	Spring M: 105 bar/turn	Spring M: 159 bar/turn
	Spring D: 137 bar/turn	Spring D: 234 bar/turn	Spring D: 355 bar/turn
adjustment screw internal hex size	4		
seal-lock hex size	13		
seal-lock torque	12-15 Nm (9-11 lbf ft)		

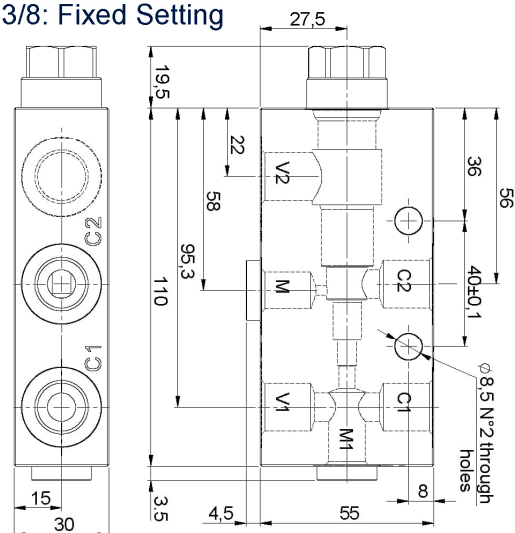
G3/8: Adjustable Setting



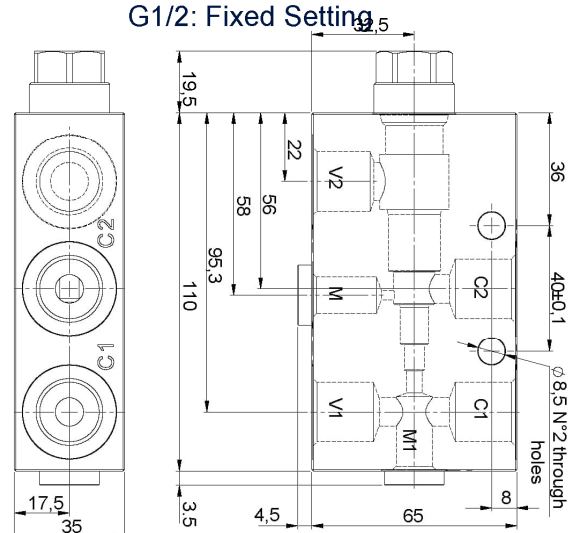
G1/2: Adjustable Setting



G3/8: Fixed Setting



G1/2: Fixed Setting



### 4 Notes, Standards and Safety Requirements

#### 4.1 General remarks

- The views in drawings are shown in accordance with the European normal projection variant
- A comma ( , ) is used as a decimal point in drawings
- All dimensions are given in mm



#### 4.2 Standards

The following standards are to be observed because of the surface temperatures on the load control valve:

- EN 563, Temperatures on surfaces that can be touched.
- EN 982, Safety-technical requirements for fluid-technical systems and their components.